

SHOULDER ELECTRONICS LIMITED

SPECIFICATION FOR APPROVAL

Serial. NO. : _____

D A T E : 2012-05-22

CUSTOMER	
PRODUCT TYPE	3225 VCTCXO(3.0V -30/75°C ±2.5ppm 1.0Tmax)
NOMINAL FREQ.	12.288000 MHz
CUSTOMER P/N	N/A
P/N	VU025H12283TVC(3225VCTCXO12.288 2.5PPM 3.0V)

[USER]

CHECK	CHECK	APPROVAL
20	20	20
EXPIRATION DATE	20	

[SHOULDER]

CHECK	CHECK	APPROVAL
LEO	YORK	LIUMING
2012 . 05 . 22 .	2012 . 05 . 22 .	2012 . 05 . 22 .

Shoulder Electronics Limited

Add:Headquarter:No. 115, Gaoyun road, Binhu Economic & Technology Development Area, Wuxi, China

Tel 0510-85629111 Fax 0510-85627222 E-mai info@shoulder.cn

Post code 214124 Web www.shoulder.cn

ShenZhen Branch

Add:2/F, Block C, Yuetong Bldg., Minle Road, Minzhi, Longhua Dist., Shenzhen City, China

Tel 0755-88291770 0755-88353052 88353815 Fax 0755-88352771



Part No.		SER No.		Page	2/9
----------	--	---------	--	------	-----

SCOPE

This specification is for SMD TCXO(Temperature Compensated Crystal Oscillator).

APPLICATION STANDARDS

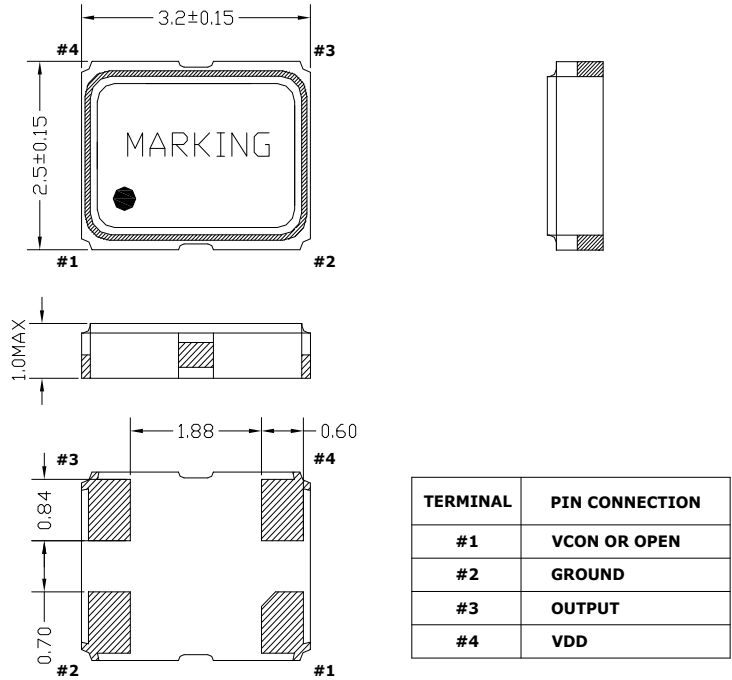
MIL-STD-883.

ELECTRICAL SPECIFICATIONS

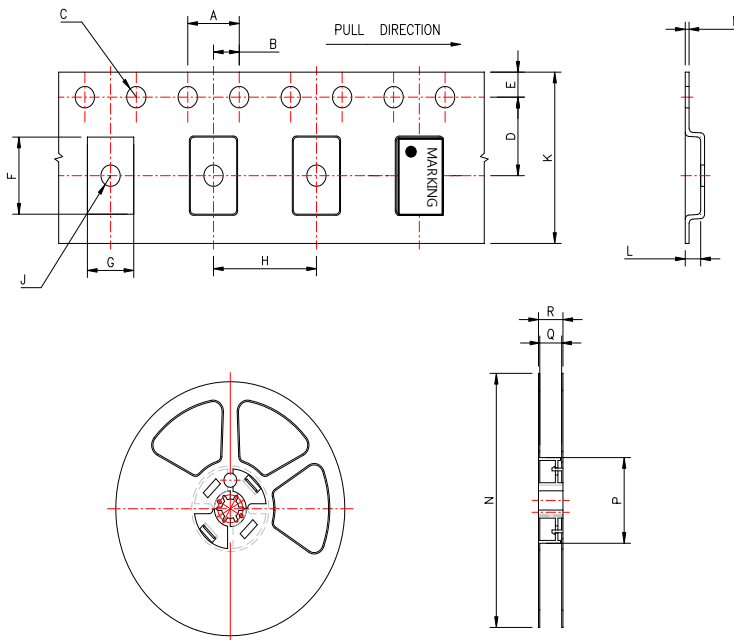
Parameters		Electrical Specifications			
		MIN	TYP	MAX	UNITS
Frequency(Fo) ref: 25°C		12.288000			MHz
Frequency Tolerance at 25°C		-1.0		+ 1.0	ppm
Frequency Stability	Vs. Temperature Range	-2.5		+ 2.5	ppm
	Vs. Supply Voltage(±5%)	-0.3		+0.3	ppm
	Vs. Load(±5%)	-0.3		+0.3	ppm
	Vs. Aging(at 25°C)	-1.0		+ 1.0	ppm
Operating Temperature Range		-30		75	°C
Storage Temperature Range		-40		85	°C
Supply Voltage			3.0		VDC
Current Consumption				2.0	mA
Output Voltage Level		0.8			Vp-p
Output Waveform		Clipped Sine			
Output Load		10kΩ//10pF			
Auto-Frequency-Control(AFC) Voltage		0.50	1.5	2.50	V
Auto-Frequency-Control(AFC) Range		±5			ppm
Start-up Time(90% of Vp-p)				3.0	mS
Duty Cycle		40		60	%
Phase Noise	10Hz Carrier Offset		-86		dBc/Hz
	100Hz Carrier Offset		-115		dBc/Hz
	1KHz Carrier Offset		-130		dBc/Hz
	10KHz Carrier Offset		-140		dBc/Hz

Part No.		SER No.		Page	3/9
----------	--	---------	--	------	-----

DIMENSIONS(UNIT: mm)



PACKING(UNIT: mm)

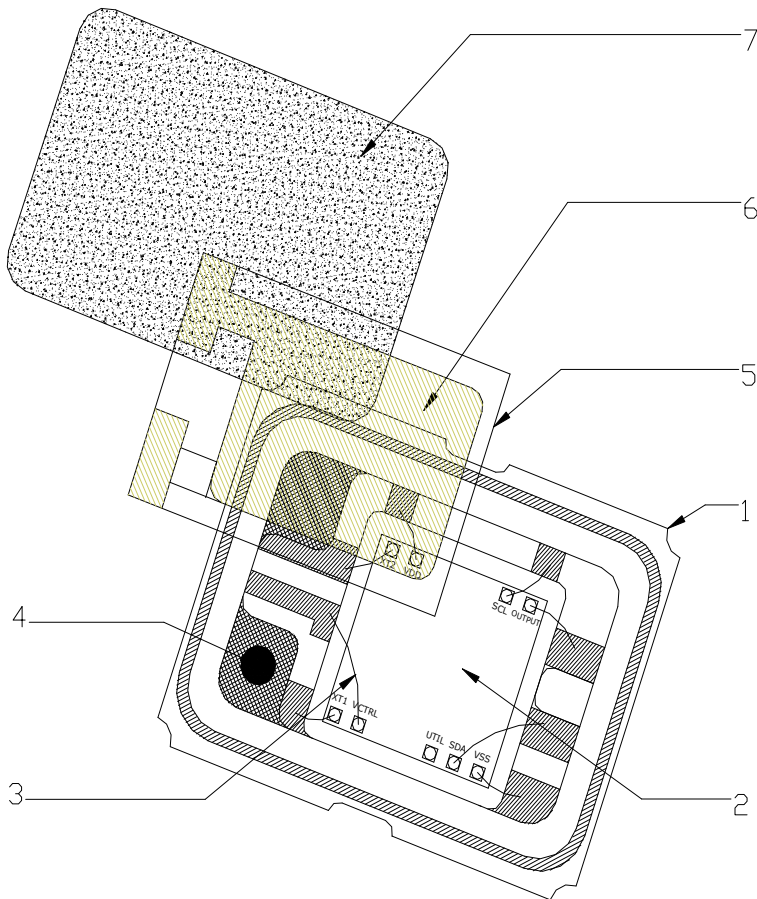


	A	B	C	D	E	F	G	H	J	K	L	M	N	P	Q	R	Q'TY
SIZE	8.00	2.00	$\varphi 1.50$	5.50	1.75	5.35	3.50	8.00	$\varphi 1.50$	12.0	1.50	0.29	$\varphi 178$	$\varphi 60$	13.00	16.00	3000

1. TOP TAPE START 250mm MINIMUM LEADER AND 160mm EMPTY POCKETS
2. END TAPE 250mm MINIMUM EMPTY POCKETS

Part No.		SER No.		Page	4/9
----------	--	---------	--	------	-----

CONSTRUCTION

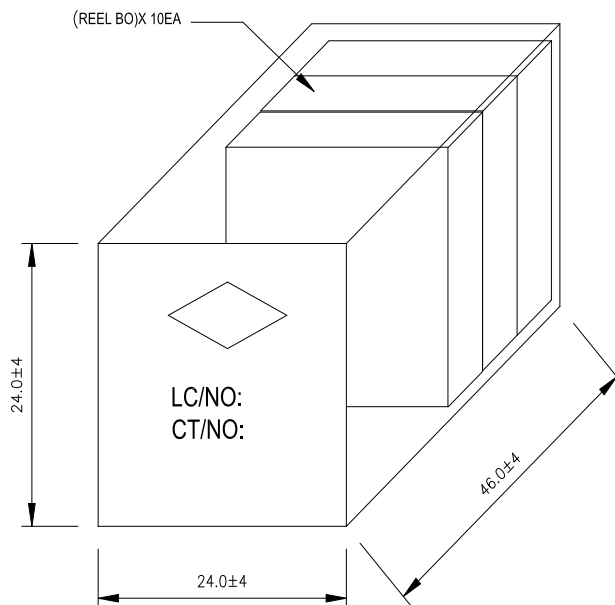
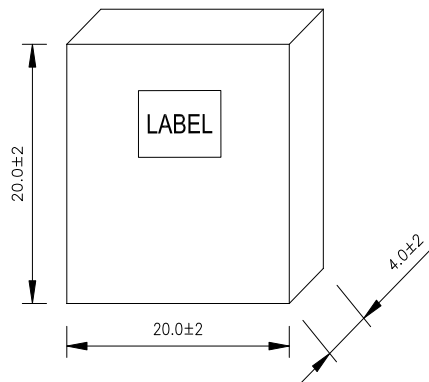
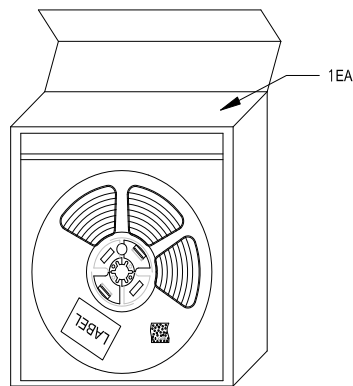
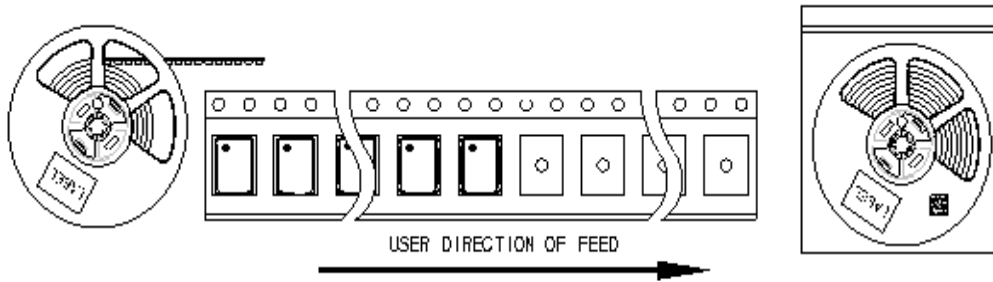


MATERIAL

NO	NAME	MATERIAL	REMARK
1	PACKAGE	CERAMIC	LEAD FREE
2	IC	SiO ₂	LEAD FREE
3	GOLD WIRE	GOLD(99.999%)	LEAD FREE
4	CONDUCTIVE EPOXY	SILVER	LEAD FREE
5	BLANK	CRYSTAL	LEAD FREE
6	ELECTRODE	GOLD(99.999%)	LEAD FREE
7	LID	KOVAR	LEAD FREE

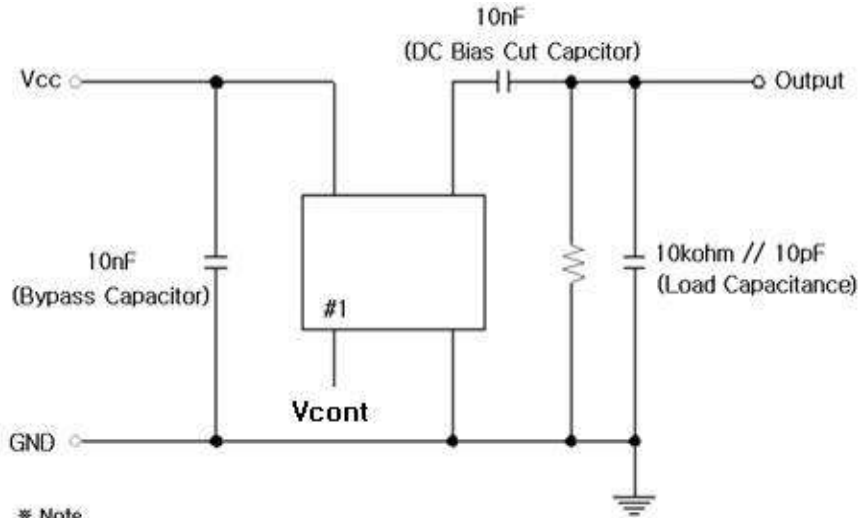
Part No.		SER No.		Page	5/9
----------	--	---------	--	------	-----

OUTBOX DIMENSIONS(CM)



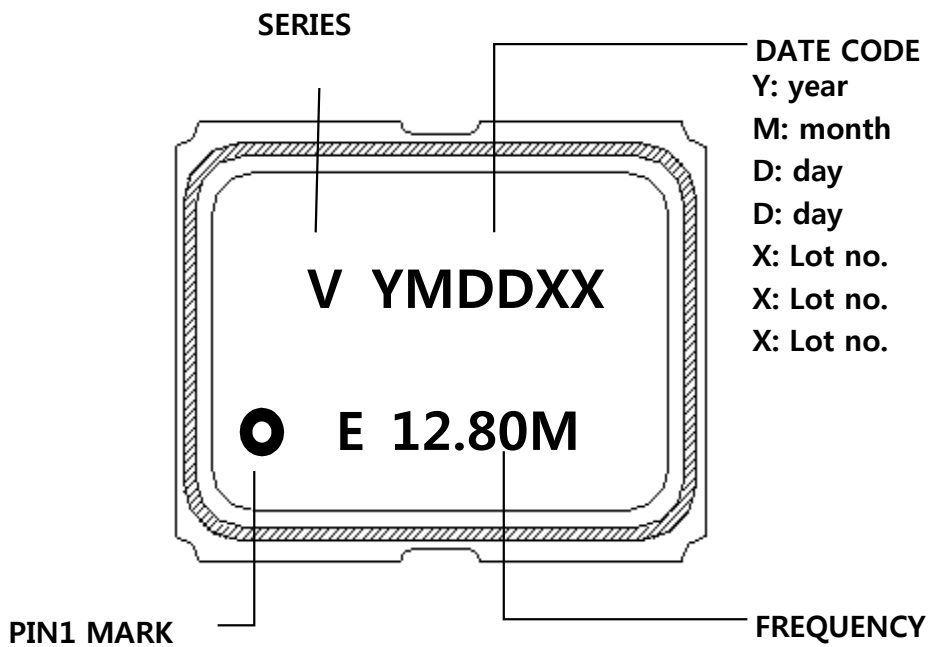
Part No.		SER No.		Page	6/9
----------	--	---------	--	------	-----

TEST DIAGRAM



* Note
 1. Load Capacitance includes probe and test JIG capacitance.

MARKING

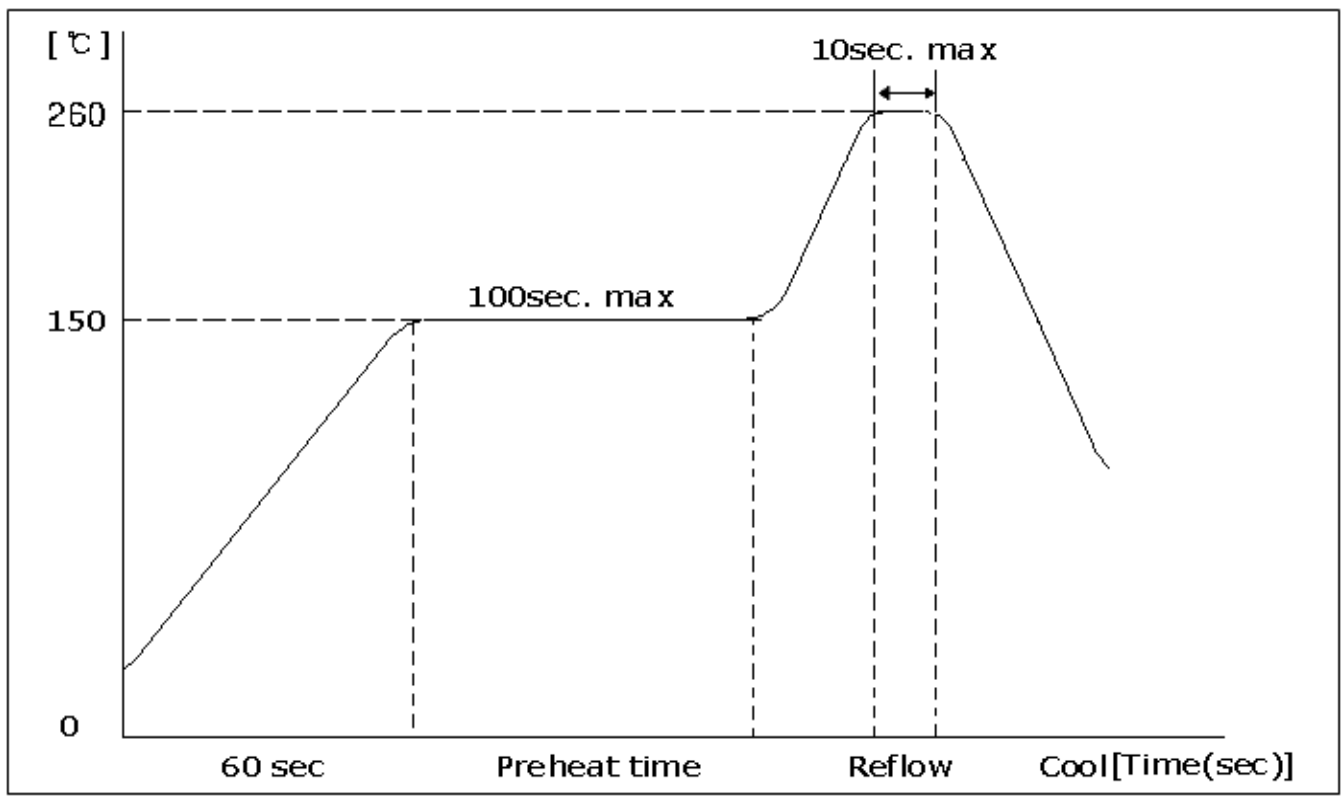


Part No.		SER No.		Page	7/9
----------	--	---------	--	------	-----

RELIABILITY SPECIFICATION

NO	ITEMS	CONDITIONS
1	Solderability	Solder dip at 260°C for 5 seconds
2	Vibration	20 - 2000-20Hz , 1.55mm total amplitude, each directions(X,Y,Z)/3times, 4min
3	Drop	3 times drop onto hard wooden board from 75cm
4	High Temp. High Humidity	+45°C±2°C, RH=90%±5% 96 hours minimum
5	High Tempe. Storage	+100°C±5°C, 100 hours minimum
6	Low Tempe. Storage	-55°C±5°C, 100 hours minimum
7	Thermal Shock	-25°C±5°C, +85°C±5°C, 15 minutes each 10 cycles
8	Aging	+125°C±5°C, 24 hours minimum
9	Reflow	+260°C max, 10sec max

REFLOW SPECIFICATION



Part No.		SER No.		Page	8/9
----------	--	---------	--	------	-----

APPLICATION GUIDELINES

Correct application and strict adherence to the important information listed below, will be ensure optimum performance of the crystal oscillator.

SHOCK RESISTANCE

all products are designed to endure physical shocks.

(Drop test consist of three drops onto a hard wooden board from a height of 75cm)

Nevertheless, under some condition, crystal products may be damaged by drops or Shocks during mounting.

It is important, therefore, to run mounting machines as smoothly as possible to

Prevent under shocks. Please review conditions prior to using a mounting machine.

VIBRATION RESISTANCE

Mechanical vibration of a piezo buzzer could cause frequency and amplitude

Change to the output frequency. It is advisable to use cushion or cutting PCB, if

You mount on same PCB.

SOLDERING CONDITION

Please keep the conditions of "Reflow diagram"

STORAGE

We recommend storing products at +15°C to +35°C and 25% R.H to 75% R.H

RoHS

all products are complies with all relevant international regulations concerning he substances with environmental impacts.

Part No.		SER No.		Page	9/9
----------	--	---------	--	------	-----

PART NUMBERING GUID

V C 0 2 0 K 1 9 2 0 3 T V 0 0 0

① ② ③ ④ ⑤ ⑥ ⑦ ⑧ ⑨ ⑩

① SERIES

T	CERAMIC SMD TCXO	C	CERAMIC SMD CRYSTAL
V	CERAMIC SMD VCTCXO	H	HR TYPE
X	CERAMIC SMD OSCILLATOR		

② TEMPERATURE

A	0 ~ 70°C	D	-30 ~ 80°C	G		J	
B	-10 ~ 60°C	E	-30 ~ 85°C	H		K	
C	-20 ~ 70°C	F	-40 ~ 85°C	I		U	User spec.

③ FREQUENCY STABILITY

000	±100ppm	200	±20ppm	100	±10ppm	025	±2.5ppm
500	±50ppm	150	±15ppm	050	±5.0ppm	020	±2.0ppm
250	±25ppm	120	±12ppm	030	±3.0ppm	015	±1.5ppm

④ SUPPLY VOLTAGE

F	5.0V	I	2.9V	L	2.6V	X	CRYSTAL
G	3.3V	J	2.8V	M	2.4V		
H	3.0V	K	2.7V	N	1.8V		

⑤ FREQUENCY

1300	13.000MHz	1968	19.680MHz	2284	22.848MHz		
1920	19.200MHz	1980	19.800MHz	2600	26.000MHz		

⑥ SIZE

9	49/S SIZE	7	7050SIZE	5	5032SIZE	3	3225SIZE
2	2520SIZE						

⑦ PACKING

T	TAPE & REEL	B	BULK
----------	-------------	----------	------

⑧ PIN CONTROL

E	TRI-STATE	J	20pF(xtal)	P	12pF(xtal)	U	8pF(xtal)
O	OPEN	K	18pF(xtal)	Q	10.6pF(xtal)	W	6.6pF(xtal)
V	Vcont	L	15pF(xtal)	R	10pF(xtal)	Y	6pF(xtal)
X	SERIES(xtal)	M	16pF(xtal)	S	9pF(xtal)	Z	Other
I	24pF(xtal)	N	14pF(xtal)	T	8.5pF(xtal)		

⑨ OUTPUT WAVEFORM

Clipped Sine	C	HCMOS	H	TTL	T	OTHER	0
---------------------	---	--------------	---	------------	---	--------------	---

⑩ OPTION